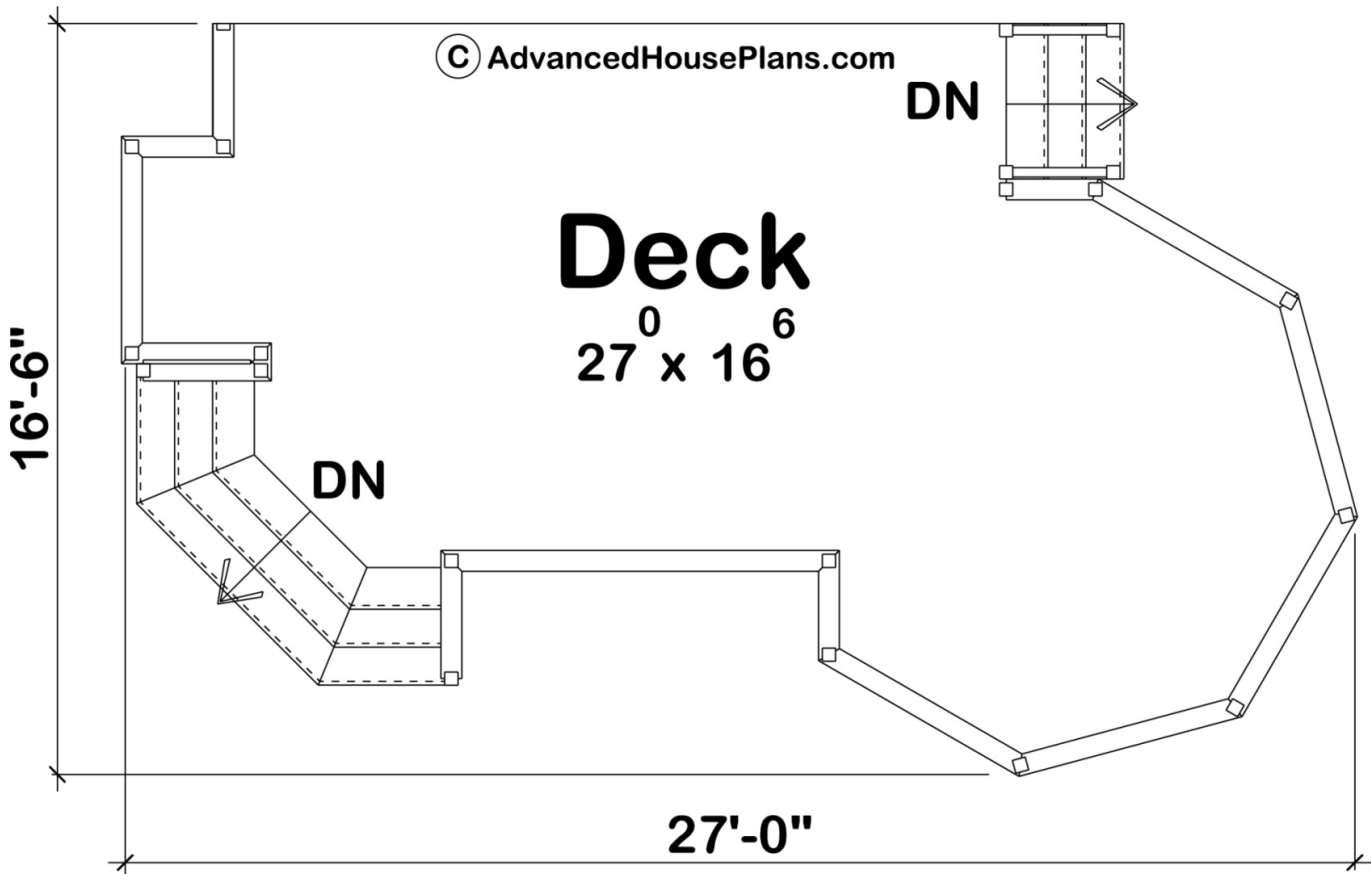


29601 - Recon Data Sheet

299 SQ FT	0 BEDS	0 BATHS	0 BAYS	27' 0" WIDE	17' 0" DEEP
--------------	-----------	------------	-----------	----------------	----------------



Construction Specs

Layout
Square Footage

Main Level	299 Sq. Ft.
------------	-------------

Total Finished Area	299 Sq. Ft.
---------------------	-------------

Exterior Dimensions

Width	27' 0"
-------	--------

Depth	17' 0"
-------	--------

Default Construction Stats

Stats are unique to the individual plan.

Foundation Type	Post and Pier
-----------------	---------------

Exterior Wall Construction	2x4
----------------------------	-----